



## Level chambers

---

Why do we use level chambers?

Level chambers, also known as bypass chambers, bridles, or cages, are used to measure the level of liquids in tanks or vessels, particularly in industrial settings. They are often used when direct measurement is difficult, dangerous, or impractical.

# Level chambers

Den Holder advanced external mounting Level Chambers offer unmatched performance for process-level instrumentation. Built to meet the rigorous demands of critical applications, these solutions deliver maximum reliability, easy maintenance, and broad compatibility.

Designed for external mounting, enabling live maintenance by isolating instrumentation from the process and allowing servicing without system shutdown.

## ORDERING DATA

### DESIGN CODES

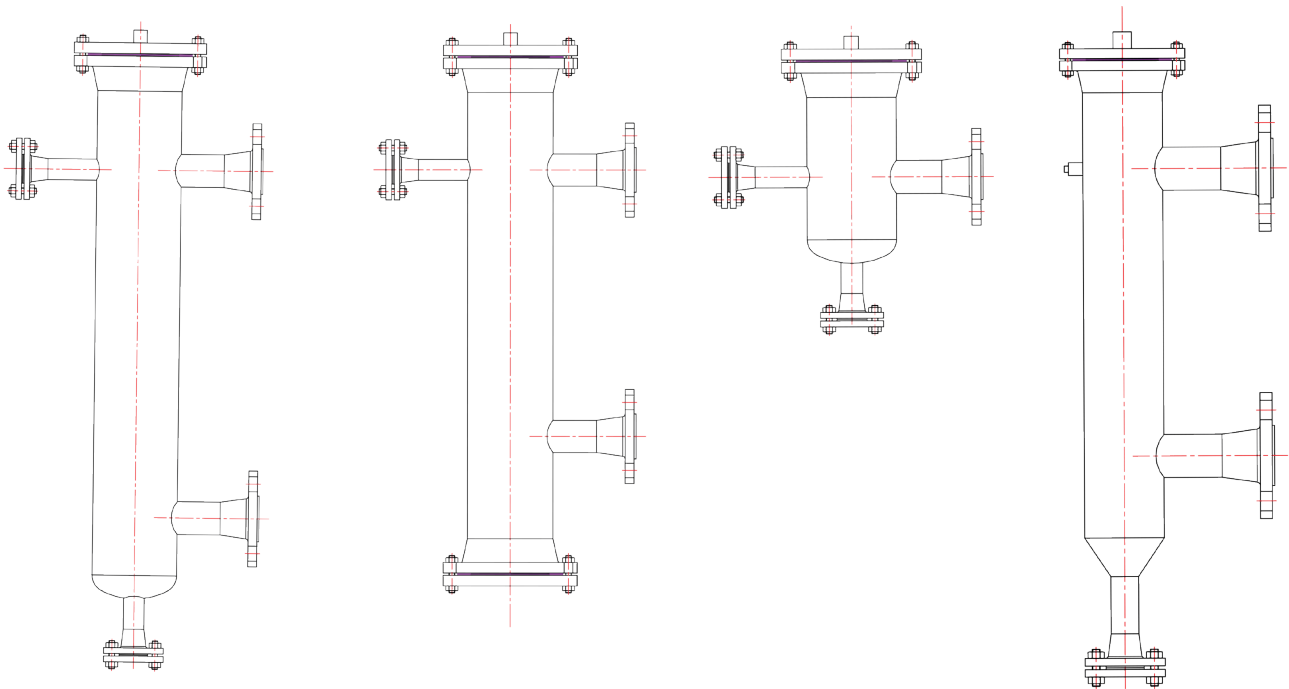
### INSTRUMENTAL CONNECTION

### END CONNECTION

### PRESSURE

### MATERIAL

- ASME B31.3 • ASME B31.1
- 2" to 4"
- THREADED • FLANGED ASME B16.5
- CLASS #150 TO #2500
- ASTM A105 • A106
- SS316 (L)
- AS PER PROCESS REQUIREMENT



EUROPE  
Minervum 7238  
4817 ZJ Breda  
The Netherlands

Phone +31(0)88 11 67 600  
Email: [info@denholder.com](mailto:info@denholder.com)

den holder   
[www.denholder.com](http://www.denholder.com)

MIDDLE EAST  
P.O. Box 3949  
Abu Dhabi  
United Arab Emirates  
Phone +971 24 493 841  
Fax +971 24 493 824  
Email: [info@denholder.ae](mailto:info@denholder.ae)