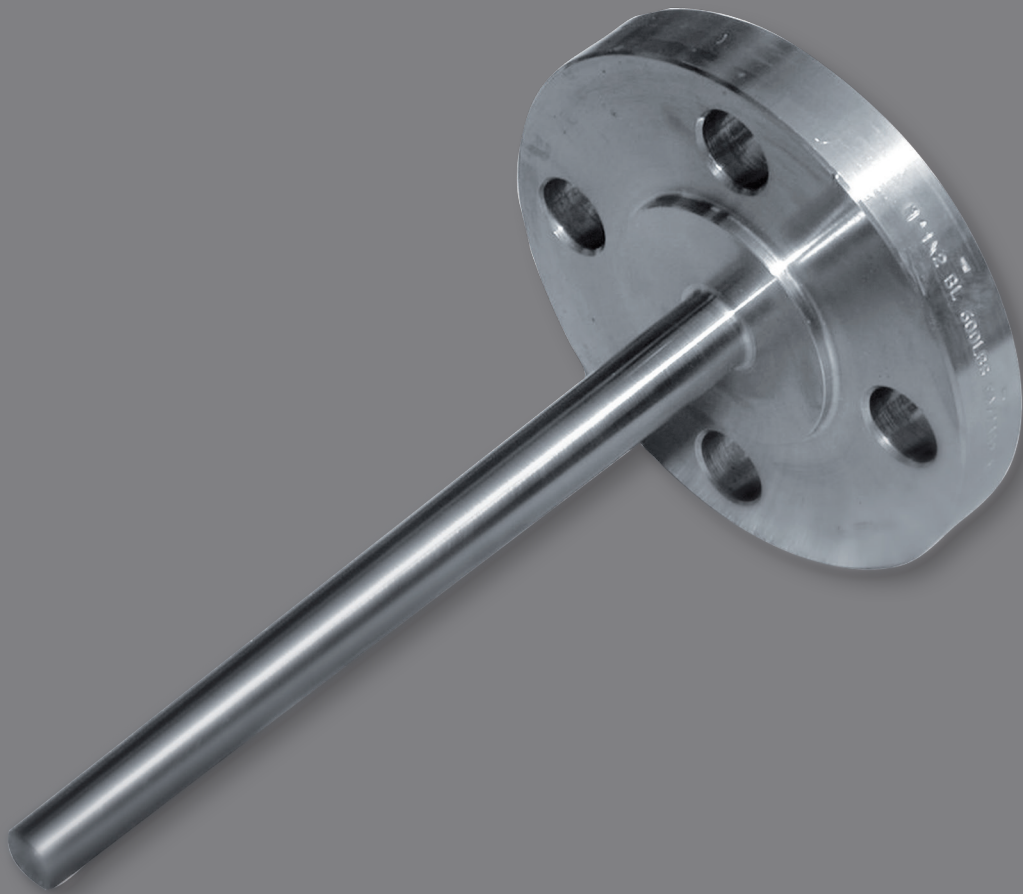


THERMOWELLS

Den Holder manufactures thermowells in each required materials and according every required standard drawing.



QUALITY CAN BE MEASURED

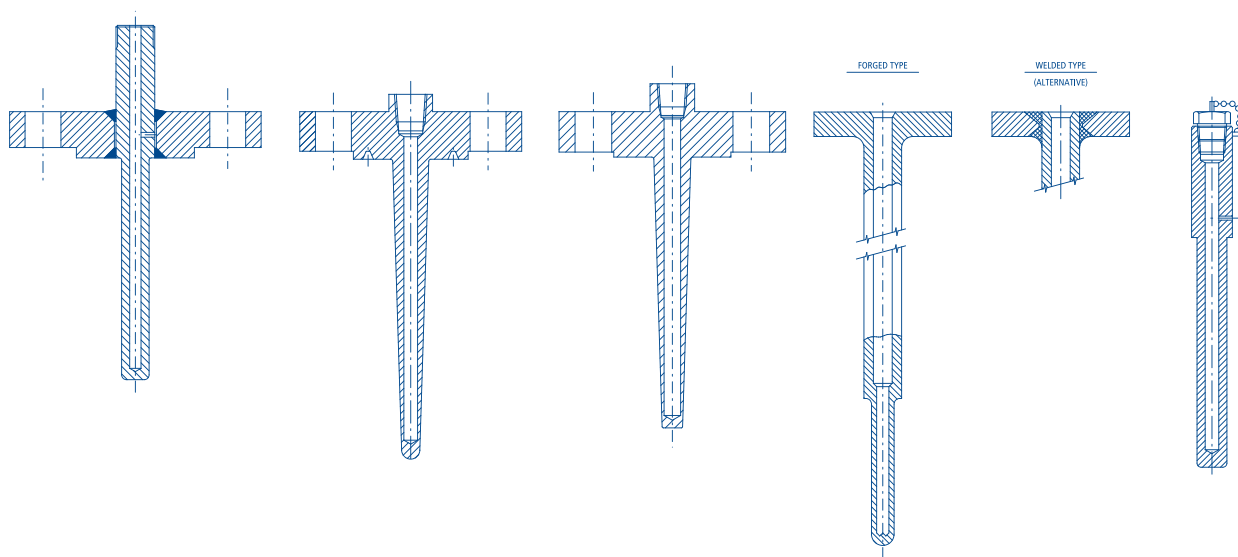
den holder 

THERMOWELLS

Den Holder manufactures thermowells in each required materials and according every required standard drawing. This means the thermowells can be supplied in any required length with threaded ends, socket weld ends or flanged ends, in which case the welds are made by qualified welders and supported by welder qualification documents. Most common steels and stainless steels are on stock in order to make fast deliveries possible.

ORDERING DATA

MATERIALS » ASTM A182-F304 (L, H) » ASTM A182-F316 (L, H, Ti) » ASTM A182-F321 (H) » ASTM A182-F347 (H) » ASTM A182-F44, F51, F55 » UNS S31803 (duplex), » UNS S32750 (super duplex) » 254 Smo » ASTM A182-F1, F5, F9, F11, F22, F91 » Hastelloy, » Monel, Inconel » Alloy 400, 600, 625, 800, 825, C-276



EUROPE
Rivium Boulevard 101
4817 ZJ Breda
The Netherlands

PHONE +31(0)88 11 67 600
Email: info@denholder.com

MIDDLE EAST
P.O. Box 3949
Abu Dhabi
United Arab Emirates

Phone +971 24 493 841
Fax +971 24 493 824
Email: info@denholder.ae