

## Flow and Venturi Nozzles

---

Long Radius Flow Nozzles and ISA 1932 Flow Nozzles are manufactured from forged bar and can be welded in the line or placed between two (orifice) flanges.

# Flow and Venturi Nozzles

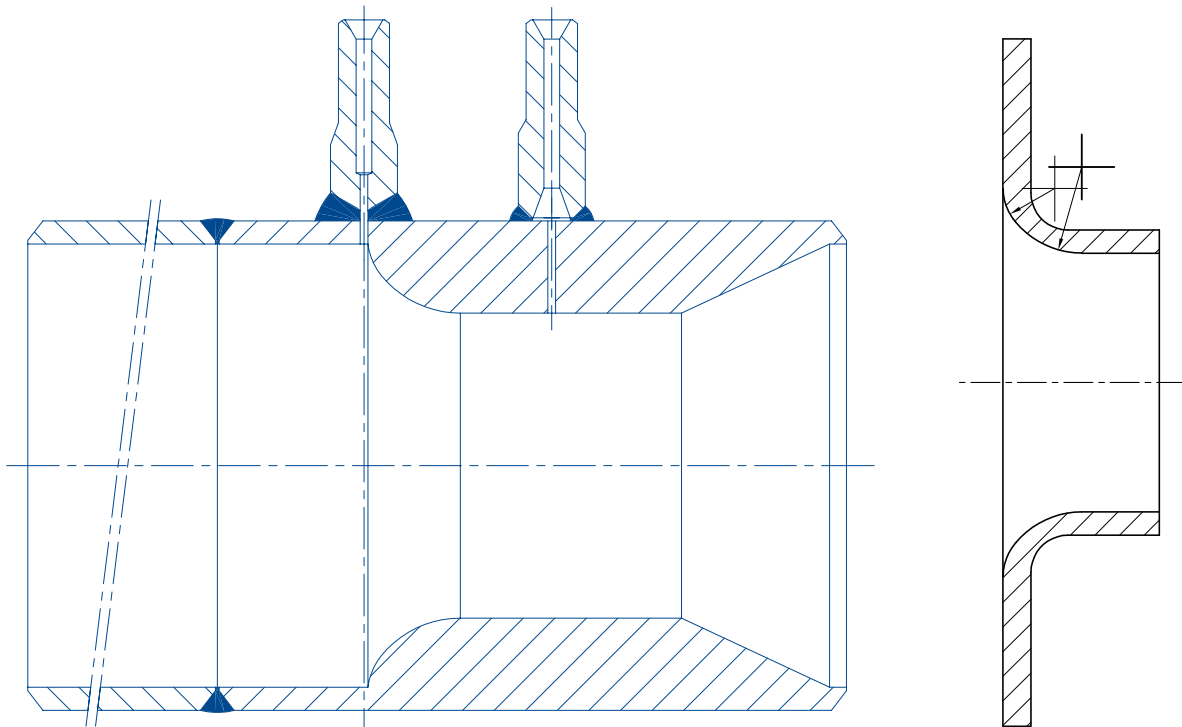
Long Radius Flow Nozzles and ISA 1932 Flow Nozzles are manufactured from forged bar and can be welded in the line or placed between two (orifice) flanges. In that case the Nozzles are supplied with a spacer ring and gaskets. It is also possible to deliver the Flow Nozzle as a pipe spool with flanged or butt-welded ends.

Venturi Nozzles are designed according to ISO 5167 or DIN 1952. The Venturi Nozzles are manufactured from forged bar for sizes up to 12" to guarantee maximum roundness. A combination of forged bar and rolled plate is used for larger sizes. All welds are always machined flush with the inside diameter of the pipe.

## ORDERING DATA

**DESIGN CODES** • ISO 5167 , DIN 1952 , BS , ASME

- MATERIALS**
- A105N / A350LF2 / A182-F5, F11, F22, F91 / C21
  - A106Gr.B / A333Gr.6 / A335Gr.P5, P11, P22, P91
  - A312-TP304(L), A312-TP316(L)/Ti, A312-TP321
  - A182-F51 / 1.4462 / UNS S32760 (super duplex)
  - Monel / Hastelloy C22, C276 / Alloy 20
  - Titanium



EUROPE  
Minervum 7238  
4817 ZJ Breda  
The Netherlands

Phone +31(0)88 11 67 600  
Email: [info@denholder.com](mailto:info@denholder.com)

den holder   
[www.denholder.com](http://www.denholder.com)

MIDDLE EAST  
P.O. Box 3949  
Abu Dhabi  
United Arab Emirates  
Phone +971 24 493 841  
Fax +971 24 493 824  
Email: [info@denholder.ae](mailto:info@denholder.ae)