

Flow straightners

For the use of most differential pressure measuring equipment, it is necessary to have a flow without disturbance upstream of the device.

Flow straighteners

For the use of most differential pressure measuring equipment, it is necessary to have a flow without disturbance upstream of the device. Flow Straighteners are designed to remove swirl and to restore an acceptable reference profile geometry where installing sufficient length straight pipe is impossible.

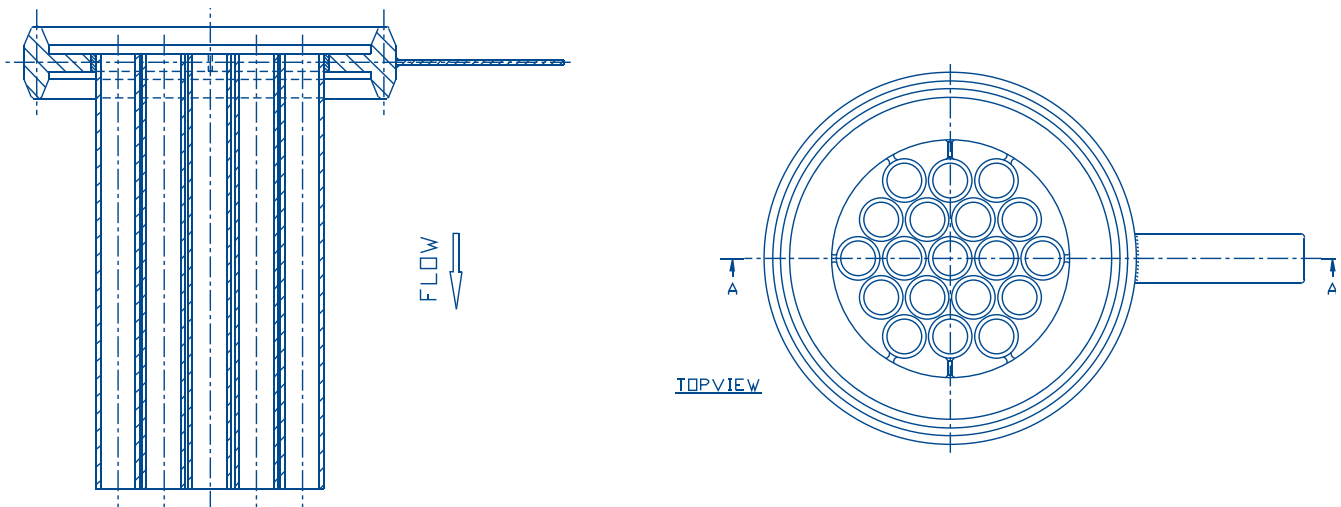
Dependent on the amount of swirl and distortion and the allowable permanent pressure loss, several types of Flow Straighteners can be chosen, such as "Zanker", "Etoile", "Sprenkle", Tube-bundle, AMCA or AGA/ASME-types.

Den Holder can manufacture flow straighteners in any required material or length and for any required pipe diameter.

ORDERING DATA

DESIGN CODES • AGA, ASME, ISO 5167-1

TYPES • Etoile • AGA/ASME • AMCA • Zanker • Sprenkle • Tube-bundle



EUROPE
Minervum 7238
4817 ZJ Breda
The Netherlands

Phone +31(0)88 11 67 600
Email: info@denholder.com

den holder 
www.denholder.com

MIDDLE EAST
P.O. Box 3949
Abu Dhabi
United Arab Emirates
Phone +971 24 493 841
Fax +971 24 493 824
Email: info@denholder.ae